



Three-Way Ball Valves



ORION S.p.A. via Caboto, 8 • 34148 Trieste • Italy • tel. +39 040813204 • fax +39 040811203
e mail sales@orionvalves.com • <http://www.orionvalves.com>

ORION

Three-Way Ball Valves



CAST STEEL

CLASS ANSI 150-300-600 (PN 20-50-100)

The Three Way Ball Valves have especially been designed to permit a 90° connection between two pipes of same bore. The special construction of the valves is such as to allow a smooth flow of fluids with minimum pressure drop and permit the pig to pass through the pipe without any interruption of the seal between the pig and the pipe.

The valve is recommended for use in pipelines, where pigs or scrapers are to be diverted for a quick distribution of the fluid without pollution and with minimum pressure drop.

The seal on the stainless steel ball is obtained by means of preloaded Teflon inserted rings.

Class ANSI 150 [PN 20]

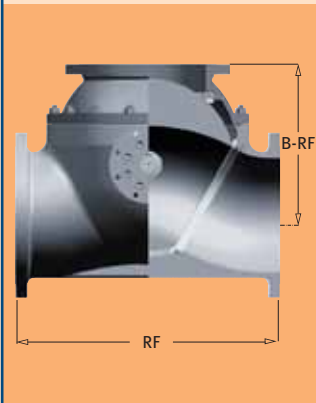
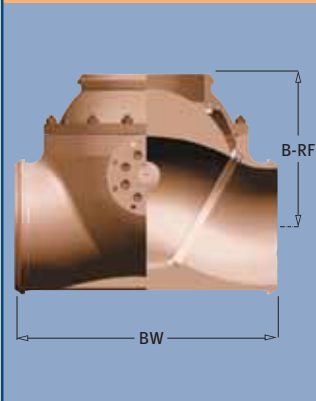


FIGURE NUMBERS
CLASS ANSI 150 – ALL SIZES
 DE-DV 150 RF . . . RAISED FACE
 DE-DV 150 BW . . . WELDING ENDS

SIZE	3"	4"	6"	8"	10"	12"	14"	16"	18"
RF-BW	312,0	360,0	460,0	580,0	650,0	780,0	820,0	940,0	1.000,0
RJ	324,7	372,7	472,7	592,7	662,7	792,7	832,7	952,7	
B-RF-BW	216,0	240,0	300,0	365,0	400,0	450,0	510,0	560,0	580,0
B-RJ	222,4	246,4	306,4	371,4	406,4	456,4	516,4	566,4	



Class ANSI 300 [PN 50]

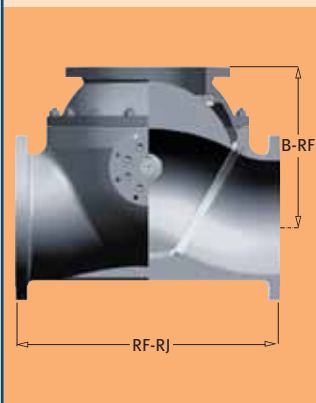
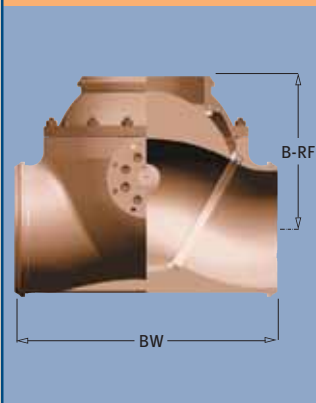


FIGURE NUMBERS
CLASS ANSI 300 – ALL SIZES
 DE-DV 300 RF . . . RAISED FACE
 DE-DV 300 BW . . . WELDING ENDS
 DE-DV 300 RJ . . . RING JOINT

SIZE	3"	4"	6"	8"	10"	12"	14"	16"
RF-BW	320,0	375,0	470,0	600,0	680,0	780,0	860,0	980,0
RJ	335,9	390,9	485,9	615,9	695,9	795,9	875,9	995,9
B-RF-BW	220,0	250,0	310,0	375,0	410,0	450,0	530,0	580,0
B-RJ	227,9	257,9	317,9	382,9	417,9	457,9	537,9	587,9



Note:
 DE = Valve with centerline-radius 1 x Bore diameter.
 DV = Valve with centerline-radius 1,5 x Bore diameter.

Class ANSI 600 [PN 100]

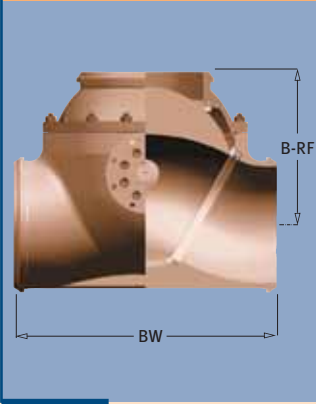
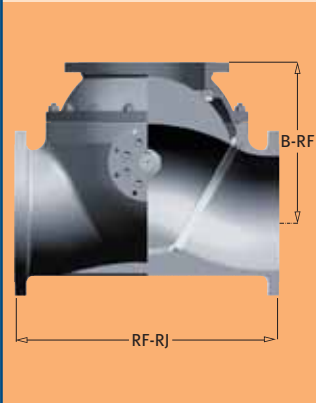
FIGURE NUMBERS

CLASS ANSI 600 – ALL SIZES

DE-DV 600 RF . . . RAISED FACE

DE-DV 600 BW . . . WELDING ENDS

DE-DV 600 RJ . . . RING JOINT



SIZE	3"	4"	6"	8"	10"	12"	14"	16"
RF-BW	360,0	400,0	500,0	640,0	730,0	860,0	920,0	1.030,0
RJ	363,2	403,2	503,2	643,2	733,2	863,2	923,2	1.033,2
B-RF-BW	240,0	260,0	320,0	430,0	450,0	500,0	550,0	600,0
B-RJ	241,6	261,6	321,6	431,6	451,6	501,6	551,6	601,6

N.B. All dimensions are given in millimeters.